

3Sense Pro-E

Intelligent platform for remote and field monitoring



Ordering Information

3S031801	Device for two sensors and Wi-Fi (IEEE 802.11) 2.4 GHz and Sigfox Ready, RC2 902 – 905Mhz / RC4 920 - 923Mhz, 22dBm ERP.
3S031802	Device for two sensors and GPRS, quad band 850/ 900 /1800 /1900 Mhz.
3SSE031803	Humidity and Temperature sensor for 3Sense Classic
3SSE031802	PT100 Sensor for 3Sense Classic (-328°F to 572°F)
3SSE031801	NTC Temperature Sensor (-40°F to 122°F) for 3Sense C.
3SSE031804	Door Sensor On/Off for 3Sense Classic

Description

Intelligent and easy configurable monitoring APP and WEB application, plus local monitoring devices for humidity, temperature and door sensors.

Features

Visualization

LCD Display. Resolution 320 X 240. Touch. Full HD, 2.4", for visualization of:

- Temperature, humidity and door states.
- Alarm limits configuration, among other parameters.
- Battery level.
- AC connector.
- Wi-Fi, GPRS or Sigfox signal quality.
- Graphic record of each variable for the last 24 hours.

Alarms

- Inbuilt visual and sound alarms, and WEB and Application (APP) support.
- External alarms by SMS and e-mail.

Contact Information

To reach 3Sense Classic manufacturer, refer to:

Mail: info@3sense.tech
 USA: +1 (786) 584-7439
 WhatsApp: +1 (786) 584-7439
 Visit: www.3sense.tech

POWER REQUIREMENTS

Parameter	Standard	Value	Units
Power Adapter	Mini USB A/AB plug	--	--
Max. Electric Current	--	0.15	A
DC Voltage	--	5	V

RECOMMENDED OPERATING CONDITIONS

Operating Conditions	Value	Units
Storage Temperature	50 (20) – 113 (45)	°F (°C)
Storage Humidity	60±25	% R.H./Non-Condensable
Ambient Temperature	32 (0) – 113 (45)	°F (°C)
Ambient Humidity	60±25	% R.H./Non-Condensable
Standard	Protection Type	
IEC standard 60529/ EN 60529	IP40 / Indoor use only	

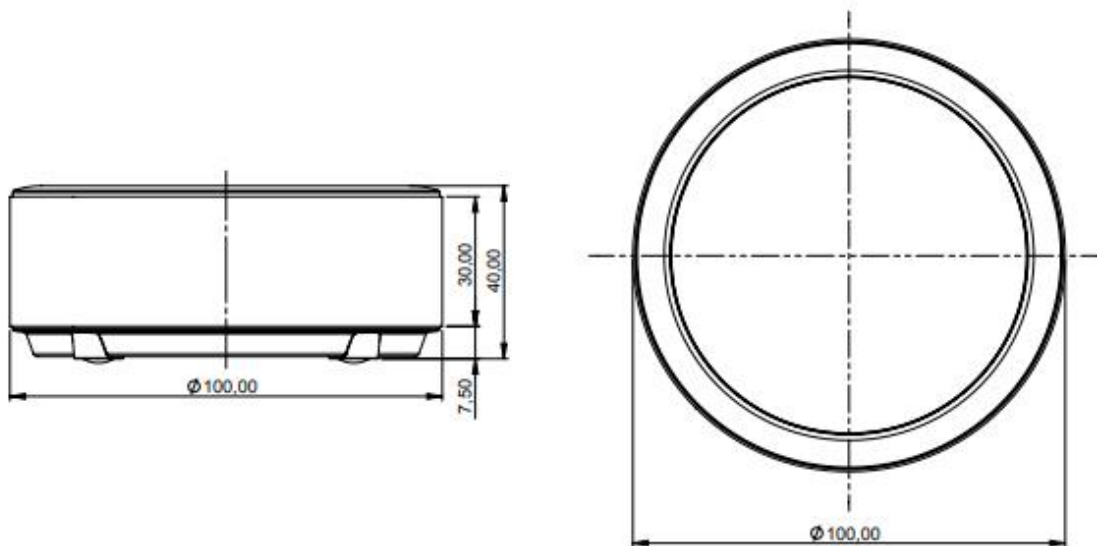
SUPPORTED APPLICATIONS

Purpose	Range	Common Fields
Humidity and temperature monitoring	RH: 0% to 99% T: -40°F (-40°C) to 176°F (80°C)	<ul style="list-style-type: none"> ✓ Laboratories. ✓ Blood banks. ✓ Pharmacies. ✓ Food processing and production plants. ✓ Veterinary services. ✓ Hospitals.
Temperature monitoring	T: -40°F (-40°C) to 572°F (300°C)	<ul style="list-style-type: none"> ✓ Freezers - Refrigerators - Cold rooms. ✓ Stability chambers. ✓ Incubators. ✓ Server Rooms. ✓ Flower farms. ✓ Cellars. ✓ Refrigerated transport.

WIRELESS SPECS

Device Type	Standard	Note
3S031801	Wi-Fi (IEEE 802.11) 2.4 GHz. WPA2 encryption.	Stores configuration data for up to 3 networks.
3S031802	GPRS. Quad Band: 850/ 900 /1800 /1900 MHz	Can be subscribed to any mobile phone operator.
3S031801	Sigfox Ready, RC2 902 – 905Mhz / RC4 920 - 923Mhz, 22dBm ERP	Zone 2 (USA, Mexico) and Zone 4 (Latin America).

DIMENSIONS



Material: Aluminum AlMgSi 0.5. Frame: ASA+PC-FR (UL 94 V-0), Plastic parts. For further information concerning this enclosure, visit: [//goo.gl/FTfW5Z](http://goo.gl/FTfW5Z)

Weight: 180g, without accessories.

WEB PLATFORM AND SERVICES



Devices work in conjunction with Web Platform and Web Platform APP.

Users can access Web Platform, via WEB or APP, to perform:

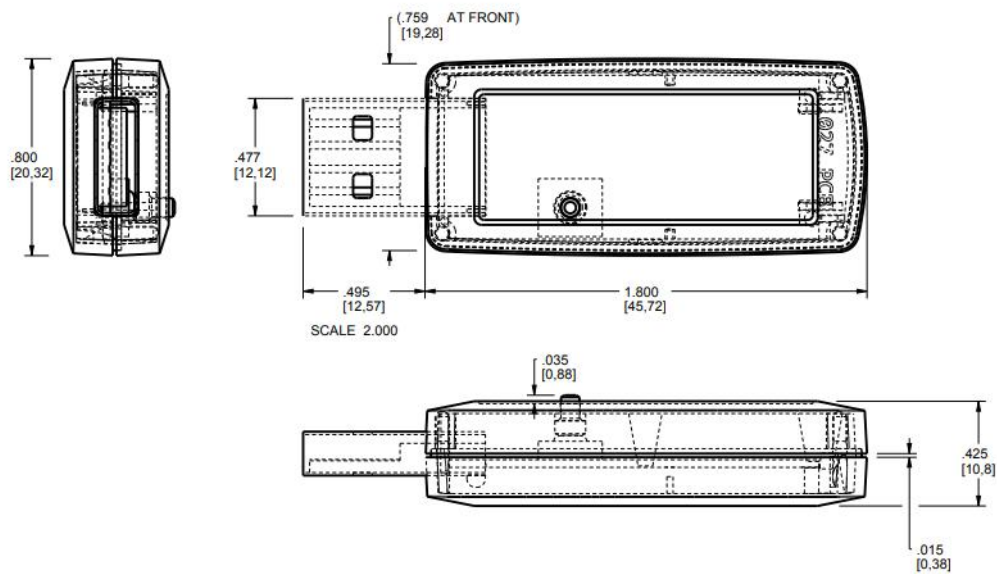
- ✓ Remote monitoring and visualization of Temperature and R. Humidity records, in graphs and data tables, from up to 2 years.
- ✓ Alarm management for variables out of range, battery levels and AC power fails.
- ✓ Add comments to records.
- ✓ Set alarm limits, among other custom settings like sensors' names.
- ✓ Configure accounts' access and permits.
- ✓ Set alarm events such as e-mail or SMS notifications.

SENSORS' TECHNICAL SPECIFICATIONS

NTC Temperature Sensor (P/N 3SSE031801)

Parameter	Value / Type
Temperature Range	-40.0 °F (-40°C) to 122°F (50°C)
Resolution	0.1 °F (0.1°C), over whole range
Max. Error	1 °F (0.5°C), over whole range
Probe Type	Thermistor NTC 10K, Stainless steel probe, PVC 2m. cable

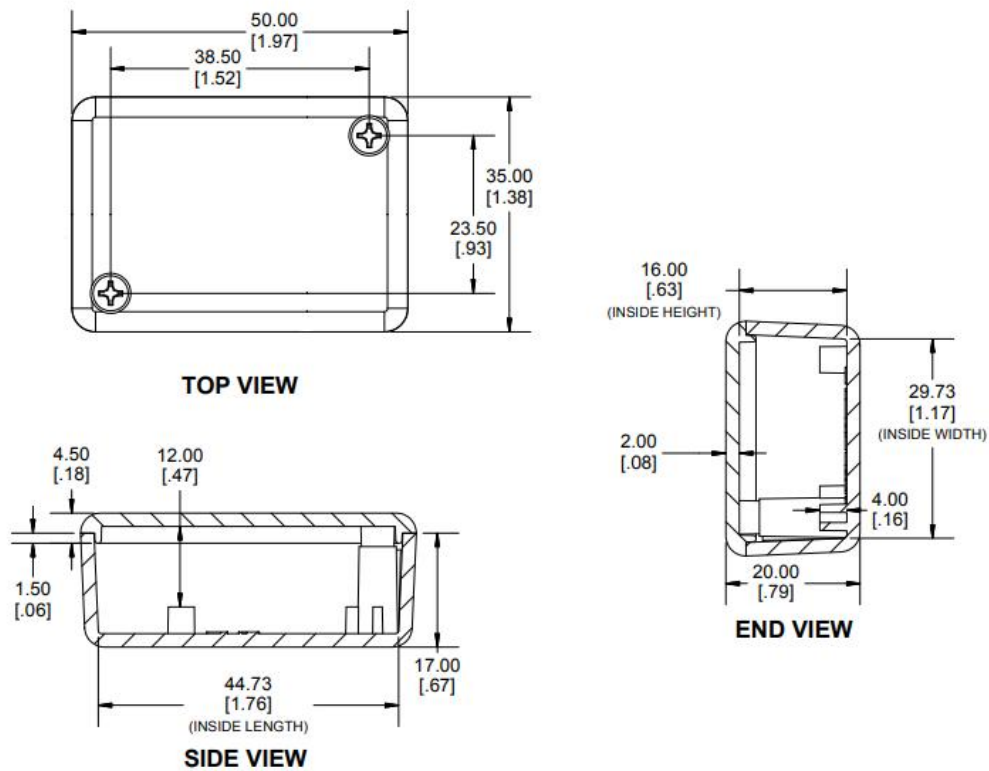
Dimensions



PT100 Temperature Sensor (P/N 3SSE031802)

Parameter	Value / Type
Temperature Range	-328°F (-200°C) to 572°F (300°C)
Resolution	0.1 °F (0.1°C), over whole range
Max. Error	1.8 °F (1°C), over whole range
Probe Type	PT100 (Platinum RTD), 2m. Fiberglass insulated cable (Up to +400°C)

Dimensions



Temperature and Humidity Sensor (P/N 3SSE031803)

Parameter	Value / Type
Temperature Range	-40 °F (-40°C) to 176°F (80.0°C)
Resolution	0.1 °F (0.1°C), over whole range
Max. Error	1 °F (0.5°C), over whole range
Relative Humidity Range	0 % to 99% RH
Resolution	0.1%, over whole range
Max. Error	0.5%, over whole range
Probe Type	PVC case

Dimensions

