



Datalog IoT

Multi sensor device for remote monitoring system

Description

Intelligent and easy configurable APP and WEB monitoring applications, plus local sensing devices set for humidity and temperature measuring.

To expand base sensing capabilities, solicit any desired sensor (such as PT100 RTDs, Thermocouples, CO2 sensors, etc.) to OEM.

Features

Visualization

Responsive WEB and APP interface for visualization of:

- Sensed variable state.
- Battery level.
- AC connector.
- Sigfox signal quality.
- Graphic record of each variable for up to 2 years.

Alarms

- External alarms by SMS, e-mail and Telegram messaging service.

Contact Information

To reach Datalog IoT manufacturer, refer to:

Mail: info@3sense.tech
 Phone: +1 (786) 584-7439
 WhatsApp: +1 (786) 584-7439
 Visit: www.3sense.tech

Ordering Information

DL031801-Sigfox	Device with in-built Relative Humidity and Temperature sensor & Accelerometer. Plus, port for one additional sensor. Sigfox Ready, RC2 902 – 905Mhz / RC4 920 -923Mhz, 22dBm ERP.
DLSE031801	Humidity and Temperature sensor for Datalog IoT.
DLSE031802	Temperature Sensor for Datalog IoT (-328°F to 572°F).
DLSE031803	Temperature Sensor (-40°F to +122°F) for Datalog IoT.

POWER REQUIREMENTS

Parameter	Standard	Value	Units
Power Adapter	Mini USB A/AB plug	--	--
Max. Electric Current	--	0.15	A
DC Voltage	--	5	V
Battery Ratings			
Type	LiPoly		
Electric Current	--	250	mAh
Nominal Voltage	--	3.7	V

RECOMMENDED OPERATING CONDITIONS

Operating Conditions	Value	Units
Storage Temperature	50 (20) – 113 (45)	°F (°C)
Storage Humidity	60±25	% R.H./Non-Condensable
Ambient Temperature	32 (0) – 113 (45)	°F (°C)
Ambient Humidity	60±25	% R.H./Non-Condensable
Standard	Protection Type	
IEC standard 60529/ EN 60529	IP40 / Indoor use only	

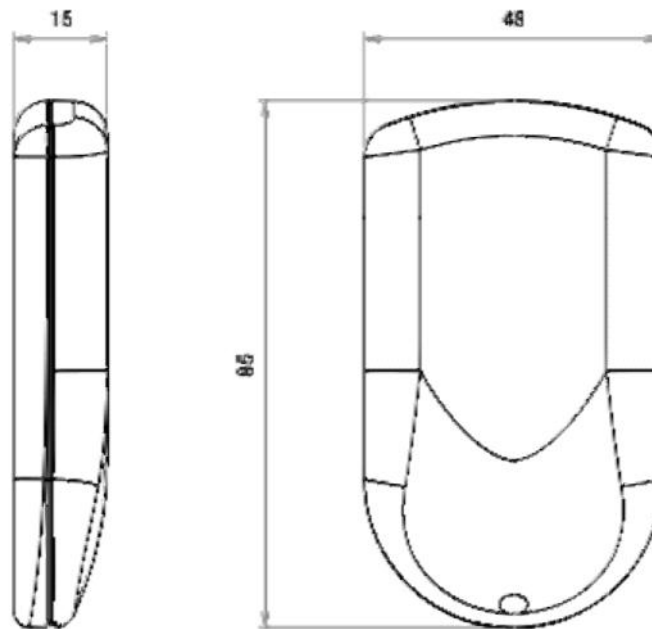
SUPPORTED APPLICATIONS

Purpose	Range	Common Fields
Humidity and temperature monitoring	RH: 0% to 99% T: -40°F (-40°C) to 176°F (80°C)	<ul style="list-style-type: none"> ✓ Laboratories. ✓ Blood banks. ✓ Pharmacies. ✓ Food processing and production plants. ✓ Veterinary services. ✓ Hospitals. ✓ Vehicle remote tracking.

WIRELESS SPECS

Device Type	Standard	Note
DL031801- Sigfox	Sigfox Ready, RC2 902 – 905Mhz / RC4 920 - 923Mhz, 22dBm ERP	Zone 2 (USA, Mexico) and Zone 4 (Latin America).

DIMENSIONS



Dimensions in mm. Material: ABS UL94HB. For further information concerning this enclosure, visit: [//goo.gl/DrbQyX](http://goo.gl/DrbQyX)
 Weight: 80g, without accessories.

Centriomega® WEB PLATFORM AND SERVICES

3Sense 4.0 devices work in conjunction with Centriomega® WEB platform and Centriomega® APP.




Users can access Centriomega® platform, via WEB or APP, to perform:


- ✓ Remote monitoring and visualization of Temperature and R. Humidity records, in graphs and data tables, from up to 2 years.
- ✓ Alarm management for variables out of range, battery levels and AC power fails.
- ✓ Add comments to records.
- ✓ Set alarm limits, among other custom settings like sensors' names.
- ✓ Set alarm events such as e-mail or SMS notifications.

SENSORS' TECHNICAL SPECIFICATIONS


Temperature and Humidity Sensor (P/N DLSE031801)

Parameter	Value / Type	
Temperature Range	-40 °F (-40°C) to 176°F (80.0°C)	
Resolution	0.1 °F (0.1°C), over whole range	
Max. Error	1 °F (0.5°C), over whole range	
Relative Humidity Range	0 % to 99% RH	
Resolution	0.1%, over whole range	
Max. Error	0.5%, over whole range	
Probe Type	PVC case	

PT100 Temperature Sensor (P/N DLSE031802)

Parameter	Value / Type	
Temperature Range	-328°F (-200°C) to 572°F (300°C)	
Resolution	0.1 °F (0.1°C), over whole range	
Max. Error	1.8 °F (1°C), over whole range	
Probe Type	PT100 (Platinum RTD), 2m. cable (Up to +400°C).	

Temperature Sensor (P/N DLSE031803)

Parameter	Value / Type	
Temperature Range	-40.0 °F (-40°C) to 122°F (50°C)	
Resolution	0.1 °F (0.1°C), over whole range	
Max. Error	1 °F (0.5°C), over whole range	
Probe Type	Stainless steel probe, PVC 2m. cable	